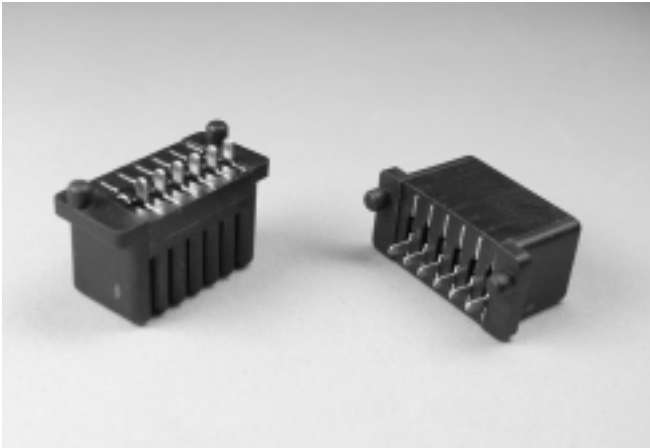


2.0mm BATTERY FEMALE DIP TYPE (SLIM TYPE)

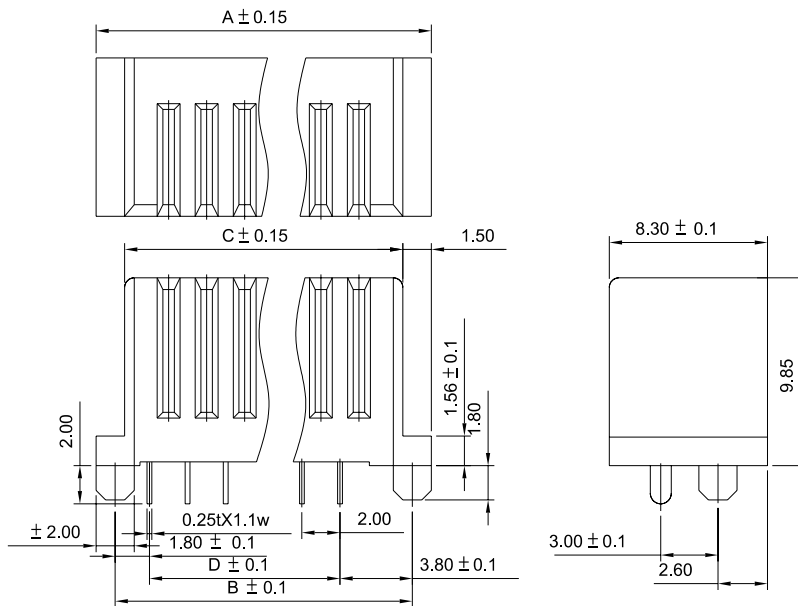


200372FS Series

Mates With SUYIN 200163MS Series

Specifications:

- 2-10 Circuits
- Insulator material : Black High Temp . Plastic
- Max Processing Temp. : -40°C to +105°C
- Terminal Material : Pho. Bronze
- Plating : Full Gold Plated
- Max. Current Rating : 7.0A
- Voltage Rating : 30V AC
- Dielectric Strength : 500V (Min. 60 seconds)



Order Information

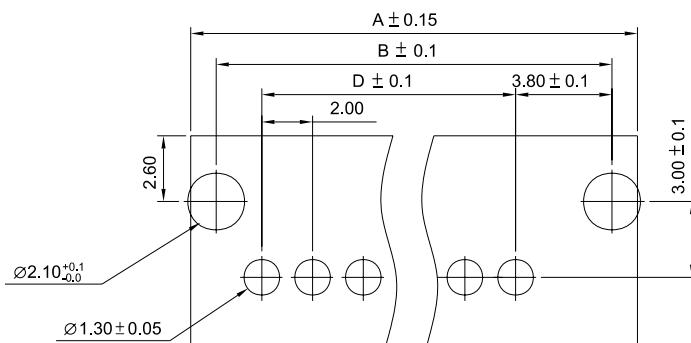
200372FS□□□□00ZU
 1 2 3 4 5

1. 'S' : Straight Dip Type
2. No. of Pins
3. Plating
4. Color 'Z' : Black
5. Package

'U' : Tube Package Without CAP

Reference Page 11

Recommended P.C.B. Layout



Dimensional Information

SUYIN P/NO.	DIM.A	DIM.B	DIM.C	DIM.D
200372FS002□□00ZU	9.6	7.6	6.6	2.0
200372FS003□□00ZU	11.6	9.6	8.6	4.0
200372FS004□□00ZU	13.6	11.6	10.6	6.0
200372FS005□□00ZU	15.6	13.6	12.6	8.0
200372FS006□□00ZU	17.6	15.6	14.6	10.0

SUYIN P/NO.	DIM.A	DIM.B	DIM.C	DIM.D
200372FS007□□00ZU	19.6	17.6	16.6	12.0
200372FS008□□00ZU	21.6	19.6	18.6	14.0
200372FS009□□00ZU	23.6	21.6	20.6	16.0
200372FS010□□00ZU	25.6	23.6	22.6	18.0